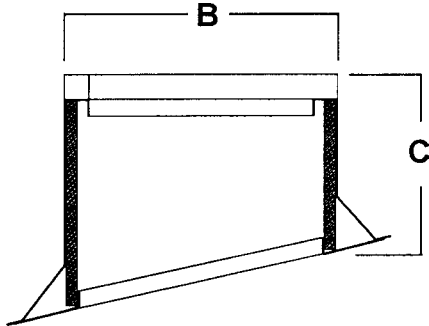


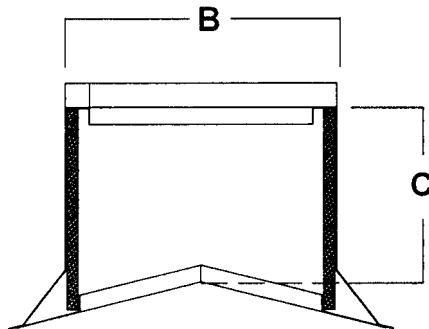
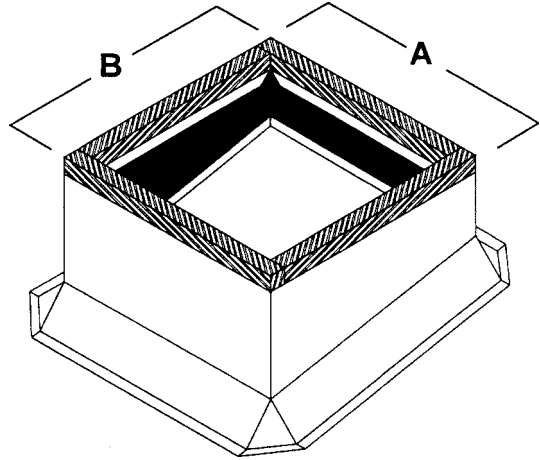
**STANDARD CONSTRUCTION**

All curb and equipment support models are available pitched or peaked.

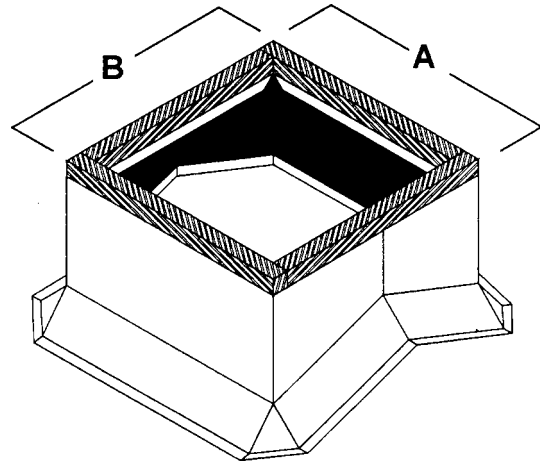
- Any pitch may be fabricated by specifying the height increase, in inches, per every linear foot. (e.g. 3" in 12"). Pitch must be specified from the 'B' dimension direction.
- If either dimension exceeds 90", multisection construction may be required.



**PITCHED**



**PEAKED**



Qty.	'A'	'B'	'C'	Options / Accessories	Tag

PROJECT: \_\_\_\_\_  
 LOCATION: \_\_\_\_\_  
 ARCHITECT: \_\_\_\_\_  
 ENGINEER: \_\_\_\_\_  
 CONTRACTOR: \_\_\_\_\_  
 PO NUMBER: \_\_\_\_\_  
 DATE: \_\_\_\_\_